

Contact Info

Name

City

Email

Postal Code

Company

Phone

Address

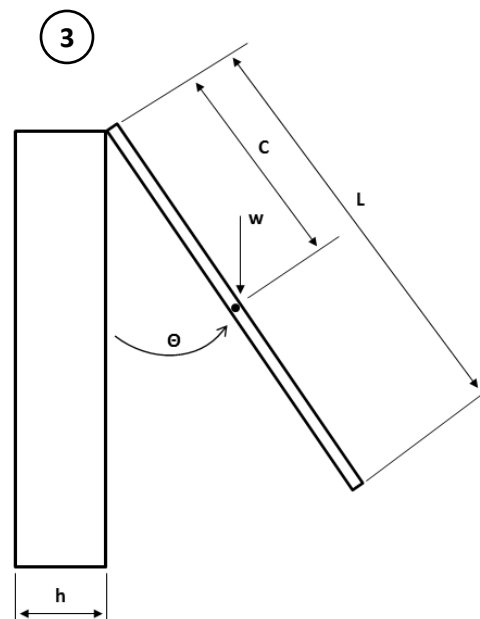
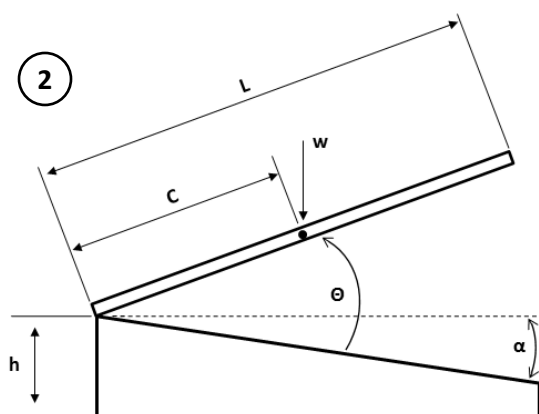
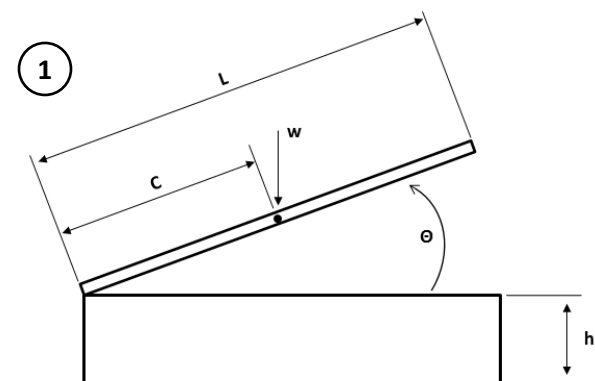
Fax

Address

Application Information

Approximate Annual Quantity

Application Type:





Lesjöfors Design Application Form

Application Geometrics

Application Type

Weight of Lid (w)

Length of Lid (L)

Opening Angle (θ)

Distance to Center of Gravity (C)

Depth of Application (h)

Start Angle Offset (α)

Additional Comments or Questions